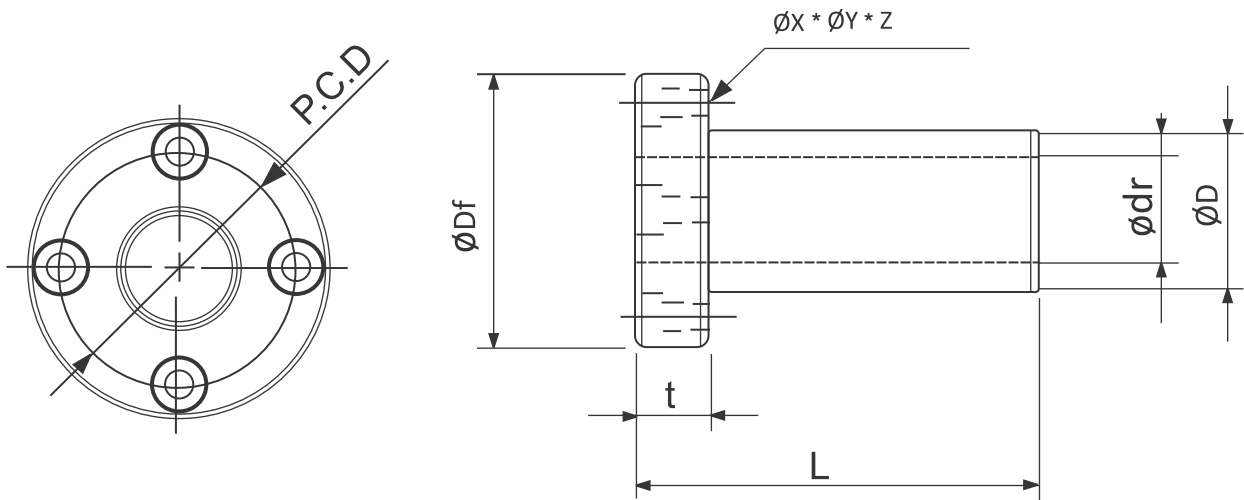


Ordering Key : SMF-L 20

1 2

1 SMF-L Long Type Round Flang Self-Lubricated Linear Bearing

2 Bearing Inner Diameter



Model NO	Inner Dia ϕdr (F8)	ϕD (F6)	L	ϕDf	t	P.C.D	ϕX	ϕY	Z
SMF 12L	12	21	57	42	13	32	4.5	7.5	4.1
SMF 16L	16	28	70	48	13	38	4.5	7.5	4.1
SMF 20L	20	32	80	54	15	43	5.5	9.0	5.1
SMF 25L	25	40	112	62	15	51	5.5	9.0	5.1
SMF 30L	30	45	123	74	20	60	6.6	11.0	6.1
Model NO	Max. Static Load kgf	Max. PV kgf *m/sec	Max. Speed m/sec	Weight g					
SMF 12L	475	23.2	2	72					
SMF 16L	780	38.1	2	113					
SMF 20L	1100	54.2	2	150					
SMF 25L	1900	95.0	2	303					
SMF 30L	2470	123.7	2	407					

